

SHEET 1 OF 2
1:250@A1;1:500@A3

SHEET 2 OF 2
1:250@A1;1:500@A3

NOTES

- ALL DIMENSIONS ARE IN METRES UNLESS NOTED OTHERWISE.
- ALL LEVELS ARE IN METRES ABOVE NATIONAL ORDNANCE DATUM. ALL LEVELS ARE IN METRES ABOVE NATIONAL ORDNANCE DATUM.

LEGEND

- CARRIAGEWAY
- FOOTWAY
- ON-ROAD CYCLEWAY
- SEGREGATED CYCLEWAY
- VERGE
- EMBANKMENT
- UNCONTROLLED TACTILE PAVING
- CONTROLLED TACTILE PAVING
- SIGN LOCATION
- TRAFFIC SIGNAL
- STREET LIGHTING COLUMN

NOTE: REFER TO DRAWING NO. MAY-MDC-HRW-LC04-DR-C-0304, FOR CLONSILLA TYPICAL CROSS SECTIONS.

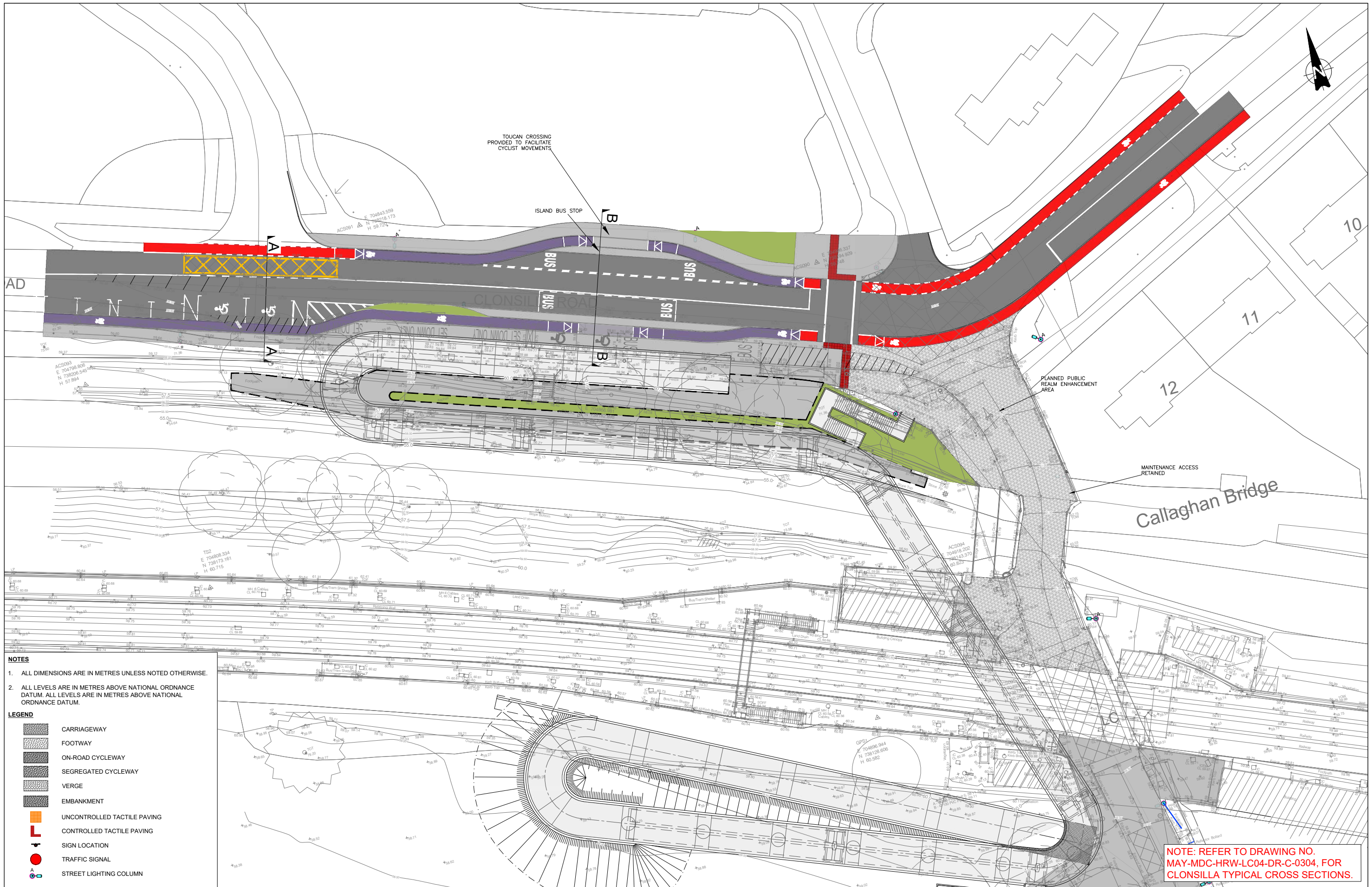
Client	Tionscal Éireann Project Ireland 2040		
Consultant	IDOM	NTA	IRÓD
Project	DART+ West		
Drawing Title	ROADWORKS DESIGN - LC04: CLONSILLA GENERAL ARRANGEMENT SHEET LAYOUT		
Scale:	1:250 @ A1 1:500 @ A3		
Drawing Number	MAY	MDC	HRW LC04 DR C 0100 D
Date:	April 2022	Job No:	P/101086
Status:	F1 - Approved & Accepted		Rev: V 01
0 2.5 6.25 12.5 25		Sheet: 01 of 01	

© Irish Rail (2021). This drawing is confidential and the copyright in it is owned by Irish Rail. This drawing must not be either loaned, copied or otherwise reproduced in whole or in part or used for any purpose without the prior permission of Irish Rail.

© Ordnance Survey Ireland and Government of Ireland. All O.S. data used for plans are printed under "Copyright Ordnance Survey Ireland" Survey No. 609721 (OS) Aerial Data or OS Laser Data & Survey No. 202105/JMA, 190 (OS) Vector Data.

All elevations are in metres and relate to OSi Geoid Model (OSGM02) Mean Head as defined by existing Project Contract.

All Coordinates are in Irish Transverse Mercator Grid (ITM) as defined by OSi active GPS station Tallaght College (TLG).



NOTES

- ALL DIMENSIONS ARE IN METRES UNLESS NOTED OTHERWISE.
- ALL LEVELS ARE IN METRES ABOVE NATIONAL ORDNANCE DATUM. ALL LEVELS ARE IN METRES ABOVE NATIONAL ORDNANCE DATUM.

LEGEND

- CARRIAGEWAY
- FOOTWAY
- ON-ROAD CYCLEWAY
- SEGREGATED CYCLEWAY
- VERGE
- EMBANKMENT
- UNCONTROLLED TACTILE PAVING
- CONTROLLED TACTILE PAVING
- SIGN LOCATION
- TRAFFIC SIGNAL
- STREET LIGHTING COLUMN

NOTE: REFER TO DRAWING NO. MAY-MDC-HRW-LC04-DR-C-0304, FOR CLONSILLA TYPICAL CROSS SECTIONS.

Client	Tionscail Éireann Project Ireland 2040	NTA National Transport Authority	Project	Irish Rail	DART+ West
Consultant	IDOM	PRODUCED BY	REVIEWED BY	APPROVED BY	
V 01	April 2022	PLANNING ISSUE	JMC	TL	MK
REV.	DATE	DESCRIPTION			

Client: Tionscail Éireann Project Ireland 2040, NTA National Transport Authority, Project: Irish Rail, DART+ West

Consultant: IDOM, IRON

Project: DART+ West

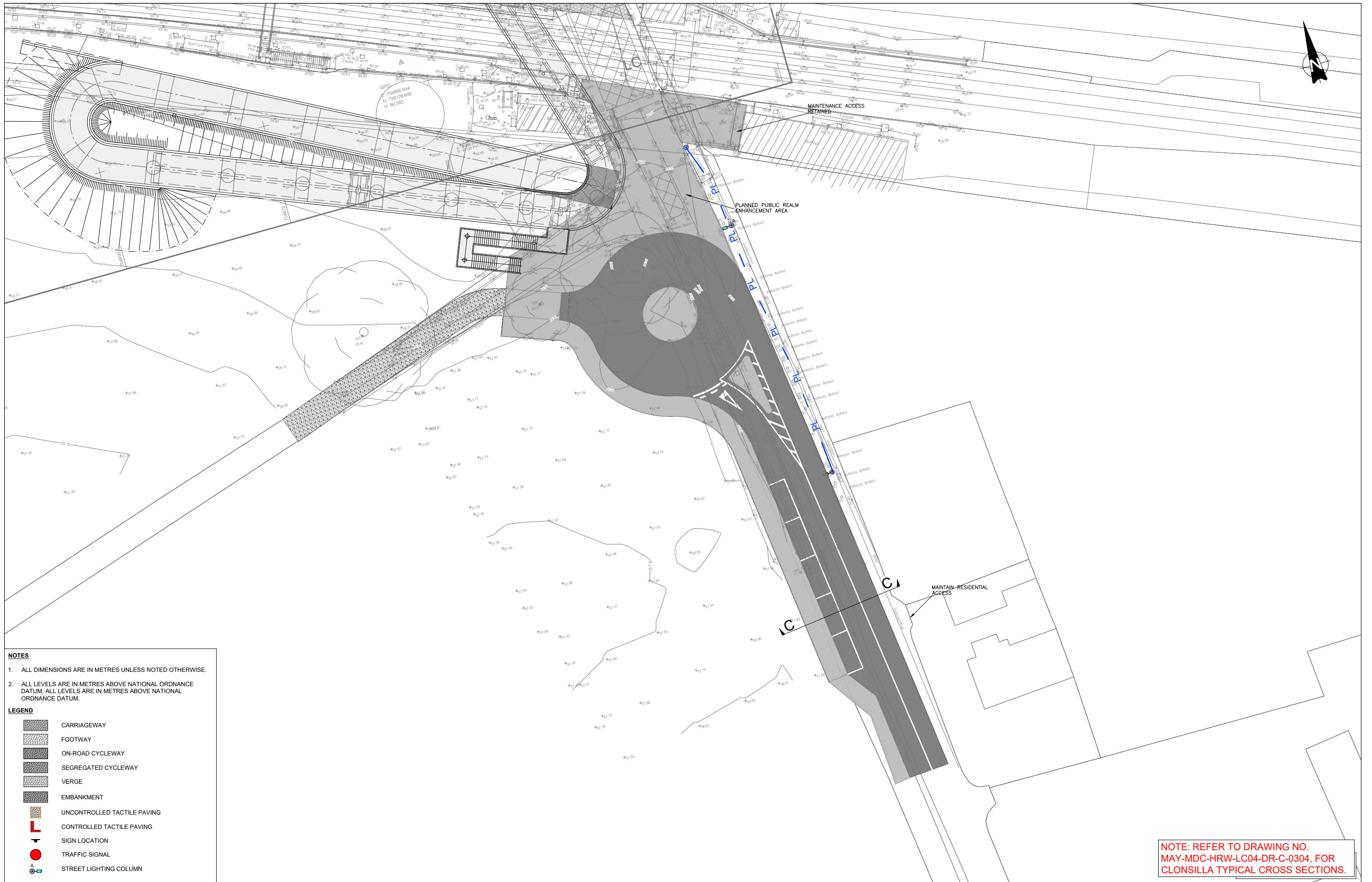
Drawing Title: ROADWORKS DESIGN - LC04: CLONSILLA GENERAL ARRANGEMENT SHEET 1 OF 2

Scale: 1:250 @ A1 1:500 @ A3

Drawing Number	Project	Originator	Discipline	Location	Type	Role	Number	Phase
MAY	MDC	HRW	LC04	DR	C	0101	D	

Date: April 2022 Job No: P/101086 Status: F1 - Approved & Accepted Rev: V 01 Sheet: 01 of 02

© Irish Rail (2021). This drawing is confidential and the copyright in it is owned by Irish Rail. This drawing must not be either loaned, copied or otherwise reproduced in whole or in part or used for any purpose without the prior permission of Irish Rail.
© Ordnance Survey Ireland and Government of Ireland. All O.S. data used for plans are printed under "Copyright Ordnance Survey Ireland".
Survey No: 889721 (OS) Aerial Data or OS Laser Data & Survey No: 282105, NMA, 180 (OS) Vector Data.
All elevations are in metres and relate to OSi Geoid Model (OSGM02) Mean Head as defined by existing Project Control.
All Co-ordinates are in Irish Transverse Mercator Grid (ITM) as defined by OSi active GPS station Tallaght College (TLG).



NOTES

- ALL DIMENSIONS ARE IN METRES UNLESS NOTED OTHERWISE.
- ALL LEVELS ARE IN METRES ABOVE NATIONAL ORDNANCE DATUM. ALL LEVELS ARE IN METRES ABOVE NATIONAL ORDNANCE DATUM.

LEGEND

- CARRIAGEWAY
- FOOTWAY
- ON-ROAD CYCLEWAY
- SEGREGATED CYCLEWAY
- VERGE
- EMBANKMENT
- UNCONTROLLED TACTILE PAVING
- CONTROLLED TACTILE PAVING
- SIGN LOCATION
- TRAFFIC SIGNAL
- STREET LIGHTING COLUMN

NOTE: REFER TO DRAWING NO. MAY-MDC-HRW-LC04-DR-C-0304, FOR CLONSILLA TYPICAL CROSS SECTIONS.

Client	Tionscadal Éireann Project Ireland 2040		
Consultant	IDOM	C3	PROUDMAN & O'DONOVAN
Project	DART+ West		
Drawing Title	ROADWORKS DESIGN - LC04: CLONSILLA GENERAL ARRANGEMENT SHEET 2 OF 2		
Scale:	1:250 @ A1 1:500 @ A3		
Drawing Number	Project	Originator	Discipline
MAY	MDC	HRW	LC04
DR	C	0102	D
Date:	Job No:	Status:	Rev:
April 2022	P/101086	F1 - Approved & Accepted	V 01
Sheet: 02 of 02			

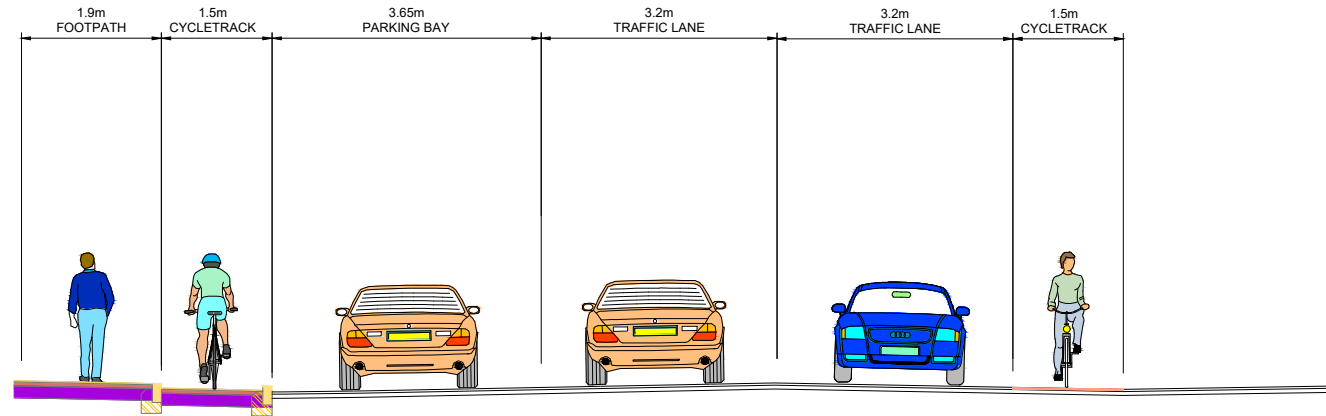
© Irish Rail (2021). This drawing is confidential and the copyright in it is owned by Irish Rail. This drawing must not be either loaned, copied or otherwise reproduced in whole or in part or used for any purpose without the prior permission of Irish Rail.

© Ordnance Survey Ireland and Government of Ireland. All O.S. data used for plans are printed under "Copyright Ordnance Survey Ireland".

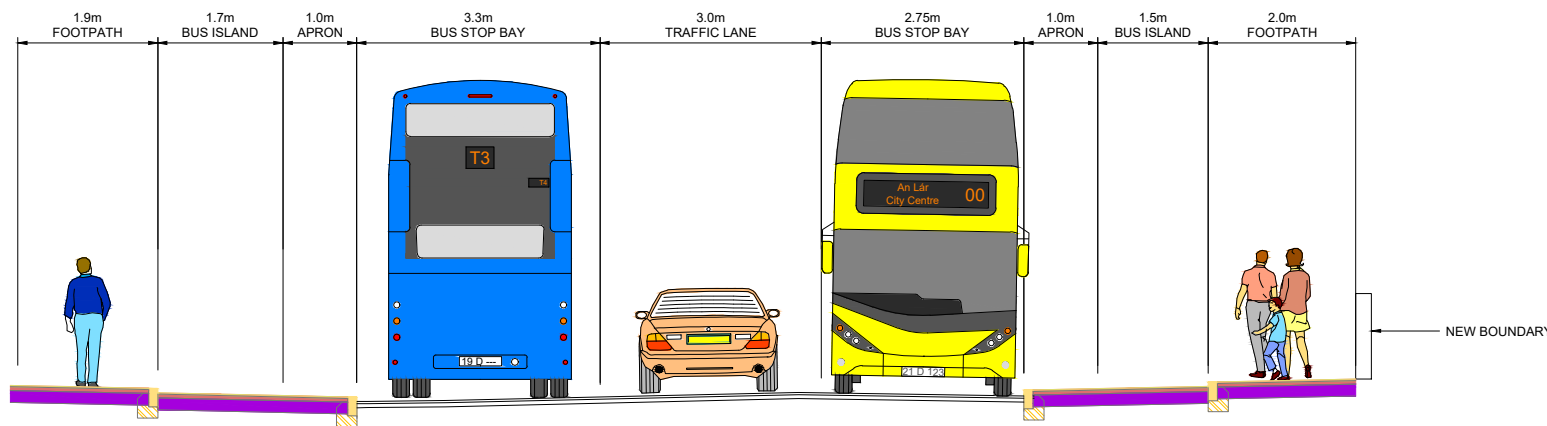
Survey No: 6039721 (OSi Aerial Data or OSi Laser Data) & Survey No: 202105B_NIMA_185 (OSi Vector Data).

All elevations are in metres and relate to OSi Geoid Model (OSiGMD). Mean Height as defined by existing Project Control.

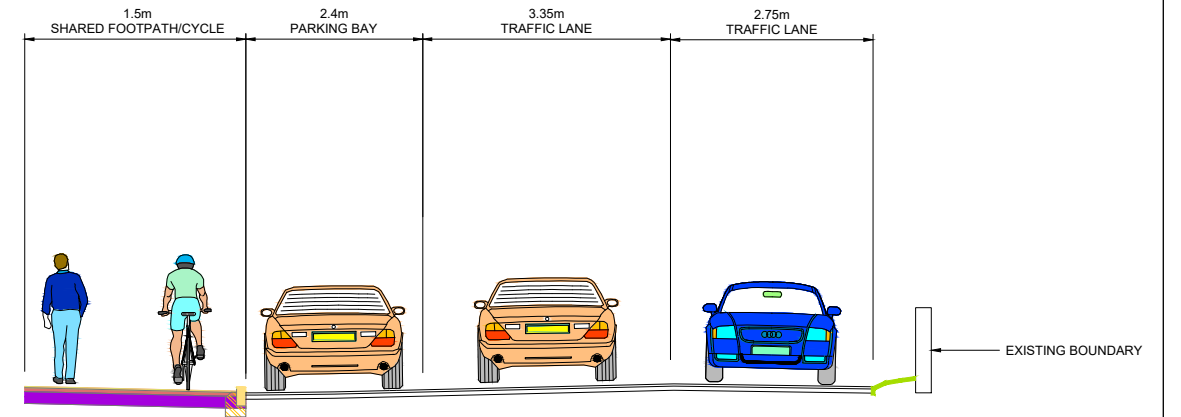
All Co-ordinates are in Irish Transverse Mercator Grid (ITM) as defined by OSi active GPS station TaighT Colpa (TLLG).



TYPICAL CROSS SECTION B-B
 CLONSILLA STATION (R121)
 LOCATED ON GA SHEET 01
 DRAWING REF: MAY-MDC-HRW-LC04-DR-C-0100



TYPICAL CROSS SECTION A-A
 CLONSILLA STATION (R121)
 LOCATED ON GA SHEET 01
 DRAWING REF: MAY-MDC-HRW-LC04-DR-C-0100



TYPICAL CROSS SECTION C-C
 CLONSILLA STATION (R121)
 LOCATED ON GA SHEET 01
 DRAWING REF: MAY-MDC-HRW-LC04-DR-C-0100

NOTES:

- FOR SECTION LOCATIONS SEE DRAWING: MAY-MDC-HRW-LC04-DR-C-0100
- THE BOUNDARY TREATMENT SHOWN IS INDICATIVE ONLY.
- THE PROPOSED PAVEMENT CONSTRUCTION IS INDICATIVE ONLY.

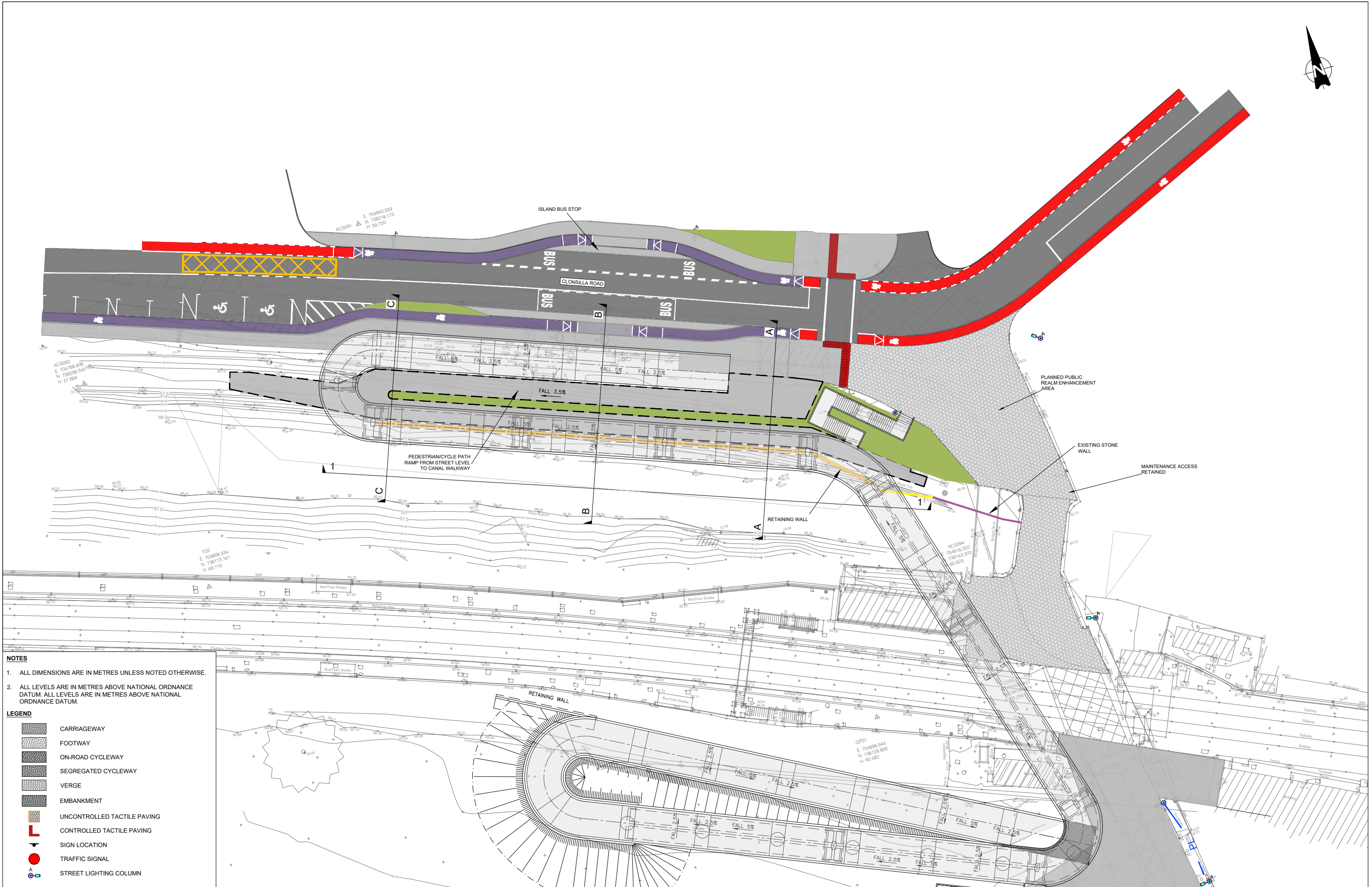
Client	Tionscatal Éireann Project Ireland 2040	NTA National Transport Authority	Iarnród Éireann Irish Rail
Consultant	IDOM	G3	PROD FORGHAN & O'DONOVAN

Project	DART+ West
---------	---------------

Drawing Title	ROADWORKS DESIGN - LC04: CLONSILLA CLONSILLA ROAD JUNCTION - CROSS SECTIONS SHEET 01 of 01
---------------	--

Scale:	1:50 @ A1 1:100 @ A3
Drawing Number	MAY MDC HRW LC04 DR C 0115 D
Date:	April 2022
Job No:	P/101086
Status:	F1 - Approved & Accepted
Rev:	V 01
Sheet:	01 of 01

© Irish Rail (2021). This drawing is confidential and the copyright in it is owned by Irish Rail. This drawing must not be either loaned, copied or otherwise reproduced in whole or in part or used for any purpose without the prior permission of Irish Rail.
 © Ordnance Survey Ireland and Government of Ireland. All O.S. data used for plans are printed under "Copyright Ordnance Survey Ireland".
 Survey No: 603721 (OS Aerial Data) & OS Laser Data & Survey No: 802105, NMA, 180 (OS Vector Data).
 All elevations are in metres and relate to DSI Geoid Model (OSGM02) Mean Head as defined by existing Project Control.
 All Co-ordinates are in Irish Transverse Mercator Grid (ITM) as defined by OSI active GPS station Tallaght College (TLG).



- NOTES**
1. ALL DIMENSIONS ARE IN METRES UNLESS NOTED OTHERWISE.
 2. ALL LEVELS ARE IN METRES ABOVE NATIONAL ORDNANCE DATUM. ALL LEVELS ARE IN METRES ABOVE NATIONAL ORDNANCE DATUM.

- LEGEND**
- CARRIAGEWAY
 - FOOTWAY
 - ON-ROAD CYCLEWAY
 - SEGREGATED CYCLEWAY
 - VERGE
 - EMBANKMENT
 - UNCONTROLLED TACTILE PAVING
 - CONTROLLED TACTILE PAVING
 - SIGN LOCATION
 - TRAFFIC SIGNAL
 - STREET LIGHTING COLUMN

REV.	DATE	DESCRIPTION	KH	TL	MK
V 01	April 2022	PLANNING ISSUE			

PRODUCED BY: KH TL MK
 REVIEWED BY: []
 APPROVED BY: []

© Irish Rail (2021). This drawing is confidential and the copyright in it is owned by Irish Rail. This drawing must not be either loaned, copied or otherwise reproduced in whole or in part or used for any purpose without the prior permission of Irish Rail.
 © Ordnance Survey Ireland and Government of Ireland. All O.S. data used for plans are printed under "Copyright Ordnance Survey Ireland".
 Survey No. 0039721 (OS Aerial Data or OS Laser Data) & Survey No. 2021-081, MMA, 180 (OS Vector Data).
 All elevations are in metres and relate to OSi Geoid Model (OSGM02) Mean Head as defined by existing Project Control.
 All Co-ordinates are in Irish Transverse Mercator Grid (ITM) as defined by OSi active GPS station Tallaght College (TLLO).

Client

Project

Consultant

Drawing Title

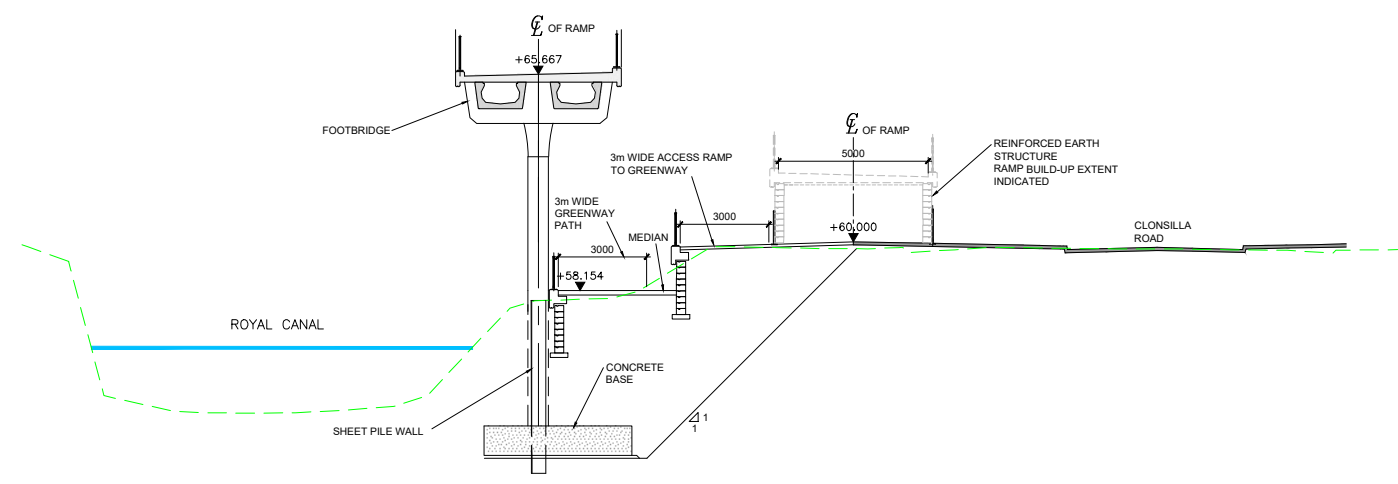
ROADWORKS DESIGN - LC04: CLONSILLA
PLAN, ELEVATION & SECTIONS (FOOTBRIDGE & GREENWAY)
SHEET 1 OF 3

Scale: 1:250 @ A1 1:500 @ A3

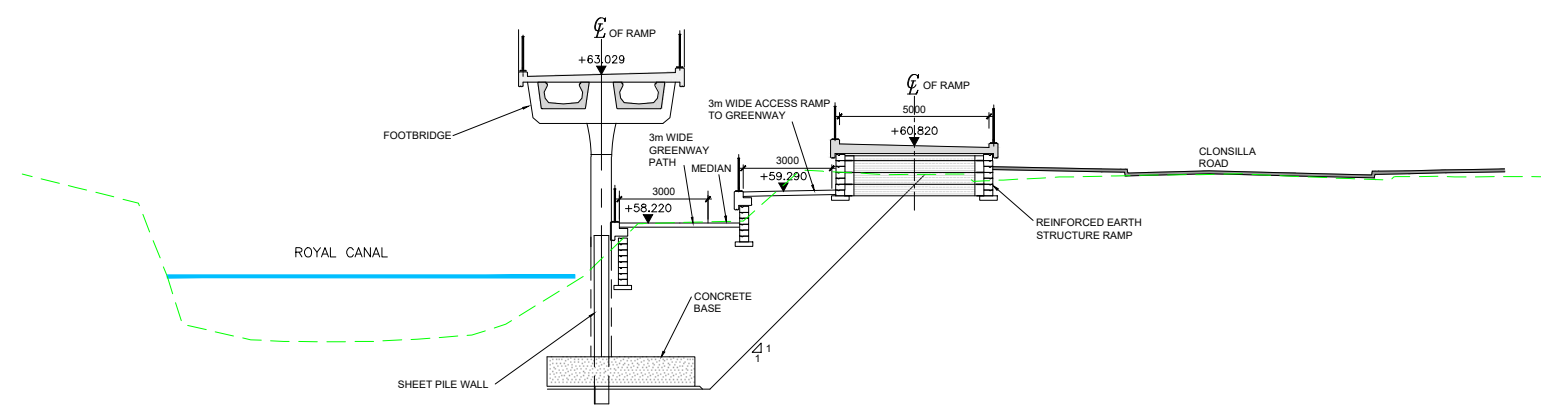
Drawing Number	Project	Originator	Discipline	Location	Type	Role	Number	Phase
MAY	MDC	HRW	LC04	DR	C	0116	D	

Date:	Job No.:	Status:	Rev.:
April 2022	P/101086	F1 - Approved & Accepted	V 01

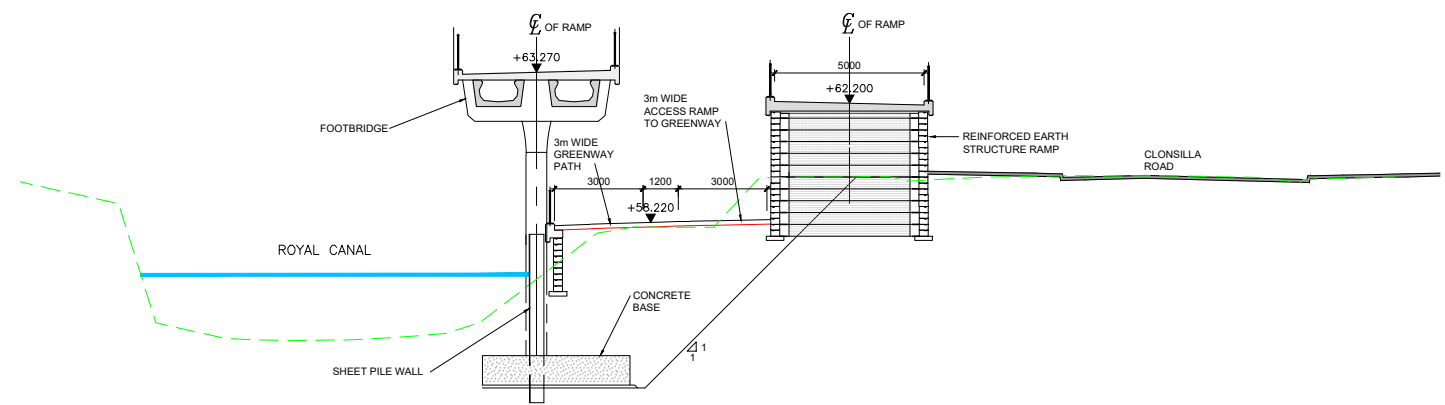
Sheet: 01 of 03



SECTION A-A
SCALE 1:125



SECTION B-B
SCALE 1:125



SECTION C-C
SCALE 1:125

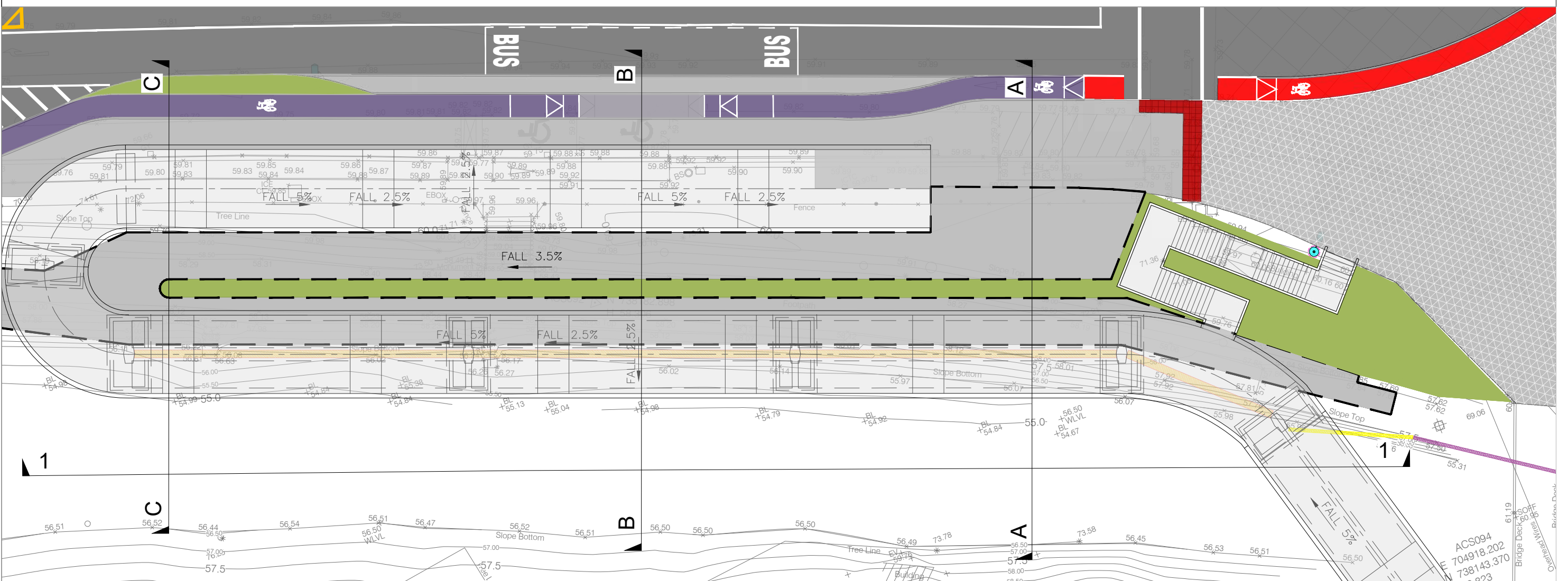
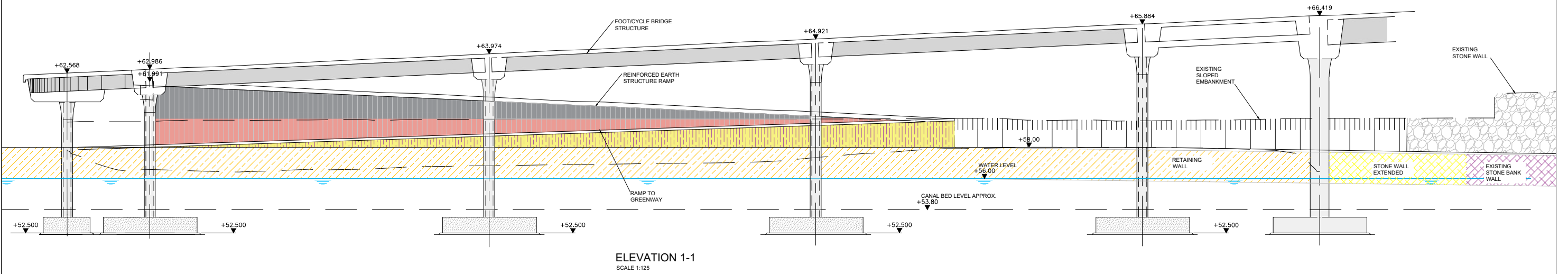
- NOTES**
1. ALL DIMENSIONS ARE IN METRES UNLESS NOTED OTHERWISE.
 2. ALL LEVELS ARE IN METRES ABOVE NATIONAL ORDNANCE DATUM. ALL LEVELS ARE IN METRES ABOVE NATIONAL ORDNANCE DATUM.

Client	Tionscail Éireann Project Ireland 2040	NTA Údarás Náisiúnta Iompartha National Transport Authority	Iarnród Éireann Irish Rail	Project	DART+ West	Drawing Title	ROADWORKS DESIGN - LC04: CLONSILLA PLAN, ELEVATION & SECTIONS (FOOTBRIDGE & GREENWAY) SHEET 2 OF 3
Consultant	IDOM	ROD RÓDAN & O'DONOVAN				Scale:	Drawing Number Project Originator Discipline Location Type Role Number Phase
						1:125 @ A1 1:250 @ A3	MAY MDC HRW LC04 DR C 0117 D
						0 1.562 3.125 6.25	Date: April 2022 Job No: P/101086 Status: F1 - Approved & Accepted Rev: V 01 Sheet: 02 of 03

© Irish Rail (2021). This drawing is confidential and the copyright in it is owned by Irish Rail. This drawing must not be either loaned, copied or otherwise reproduced in whole or in part or used for any purpose without the prior permission of Irish Rail.
 © Ordnance Survey Ireland and Government of Ireland. All O.S. data used for plans are printed under "Copyright Ordnance Survey Ireland"
 Survey No. 6029721 (OSi Aerial Data or OSi Laser Data) & Survey No. 202105B_NIMA_180 (OSi Vector Data).
 All elevations are in metres and relate to OSi Geoid Model (OSGM02) Mean Height as defined by existing Project Control.
 All Co-ordinates are in Irish Transverse Mercator Grid (ITM) as defined by OSi active GPS station TaRagh College (TLG).

NOTES

1. ALL DIMENSIONS ARE IN METRES UNLESS NOTED OTHERWISE.
2. ALL LEVELS ARE IN METRES ABOVE NATIONAL ORDNANCE DATUM. ALL LEVELS ARE IN METRES ABOVE NATIONAL ORDNANCE DATUM.



REV.	DATE	PLANNING ISSUE DESCRIPTION	KH	TL	MK
V 01	April 2022	PLANNING ISSUE			

PRODUCED BY REVIEWED BY APPROVED BY

Client

Consultant

Project

Drawing Title

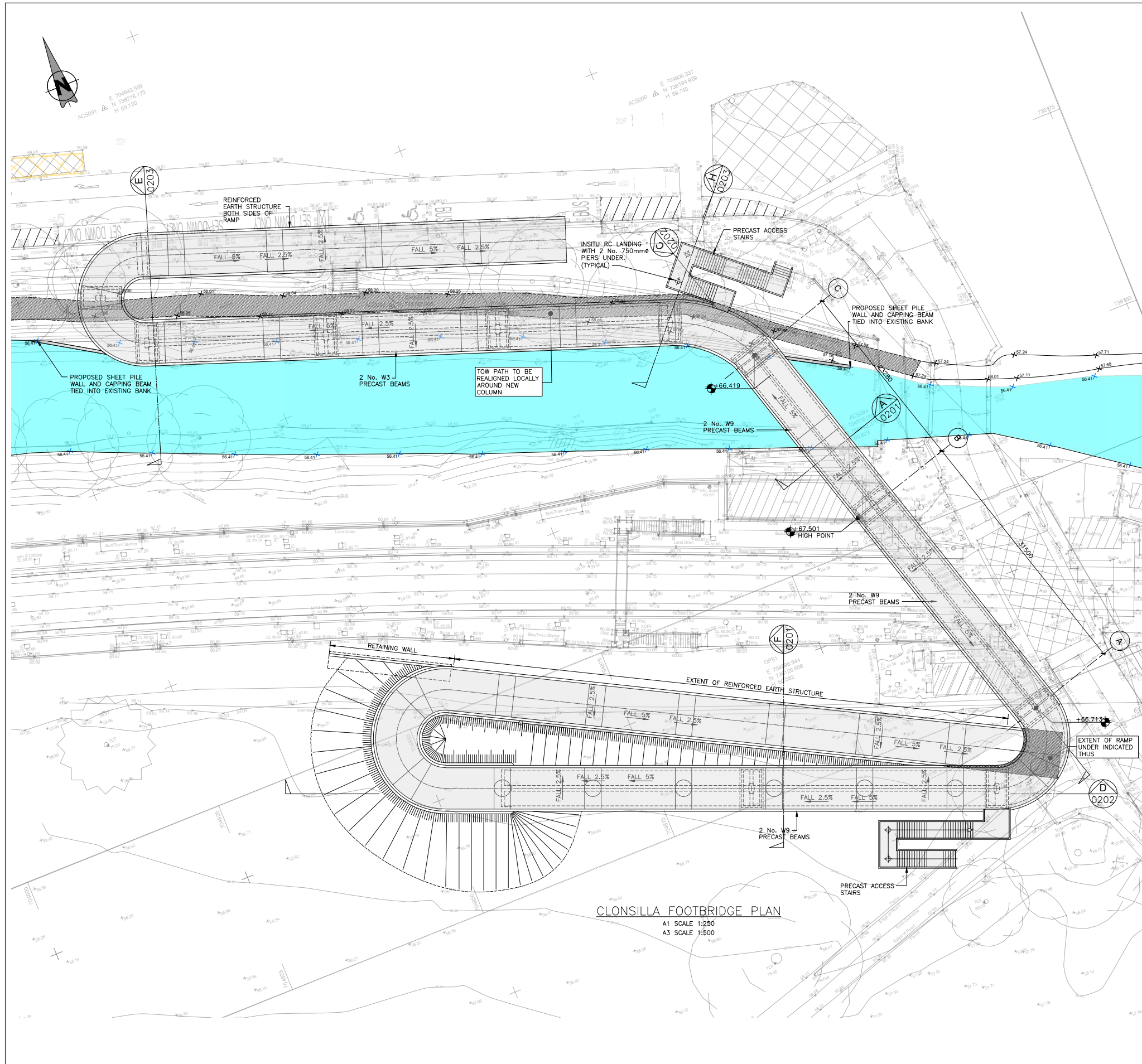
ROADWORKS DESIGN - LC04: CLONSILLA
PLAN, ELEVATION & SECTIONS (FOOTBRIDGE & GREENWAY)
SHEET 3 OF 3

Scale: 1:125 @ A1 1:250 @ A3

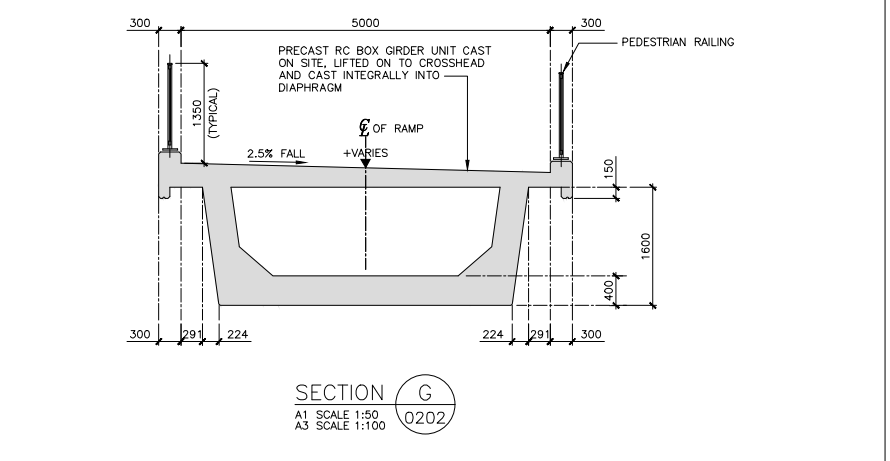
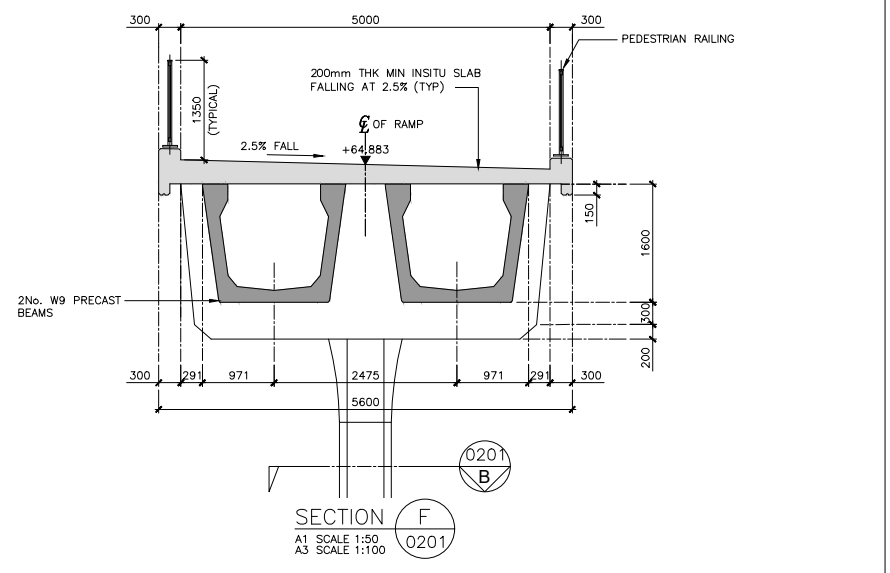
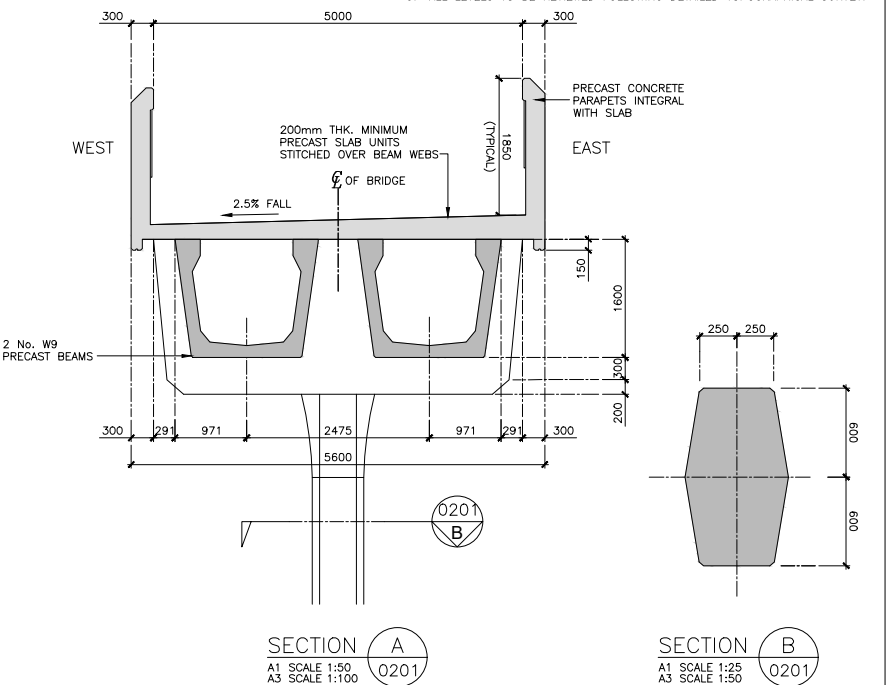
Drawing Number | Project | Originator | Discipline | Location | Type | Role | Number | Phase
 MAY MDC HRW LC04 DR C 0118 D

Date: April 2022 Job No: P/101086 Status: F1 - Approved & Accepted Rev: V 01 Sheet: 03 of 03

© Irish Rail (2021). This drawing is confidential and the copyright in it is owned by Irish Rail. This drawing must not be either based, copied or otherwise reproduced in whole or in part or used for any purpose without the prior permission of Irish Rail.
 © Ordnance Survey Ireland and Government of Ireland. All O.S. data used for plans are printed under "Copyright Ordnance Survey Ireland" Survey No. 669721 (OSI Aerial Data or OSi Lidar Data) & Survey No. 2021-081_NMA_180 (OSi Vector Data).
 All elevations are in metres and relate to OSI Geoid Model (OSG2015). Mean Head as defined by existing Project Control.
 All Co-ordinates are in Irish Transverse Mercator Grid (ITM) as defined by OSi active GPS station Taighn Collaige (TLLO).



- NOTES:**
1. ALL DIMENSIONS IN MILLIMETERS, UNLESS OTHERWISE NOTED.
 2. ALL LEVELS ARE IN METRES TO ORDNANCE DATUM MALIN HEAD.
 3. ALL CO-ORDINATES ARE IN METRES TO IRISH TRANSVERSE MERCATOR (ITM).
 4. FINAL FOUNDATION DESIGN TO BE CONFIRMED FOLLOWING DETAILED GEOTECHNICAL INVESTIGATION
 5. ALL LEVELS TO BE REVIEWED FOLLOWING DETAILED TOPOGRAPHICAL SURVEY.

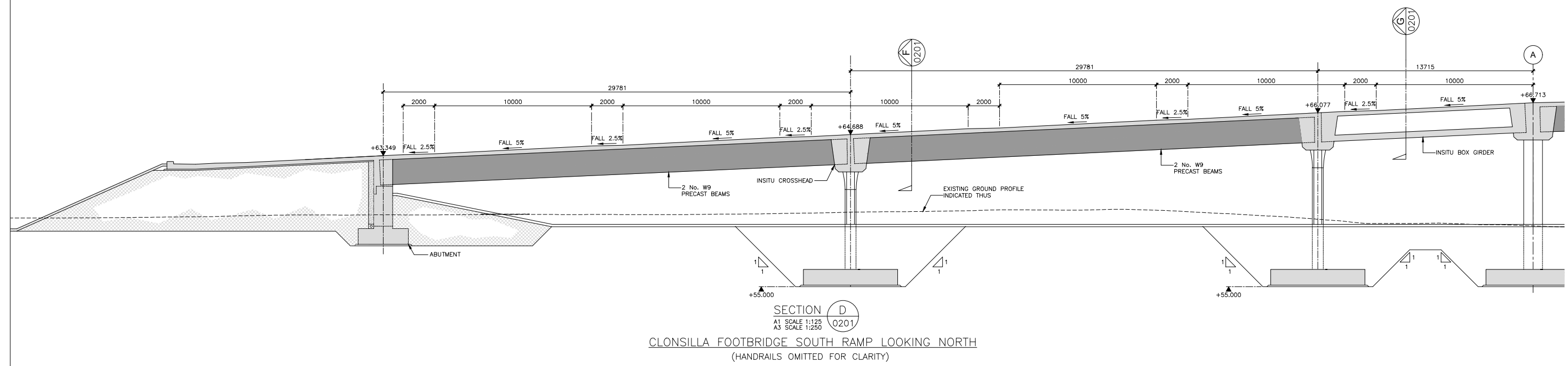
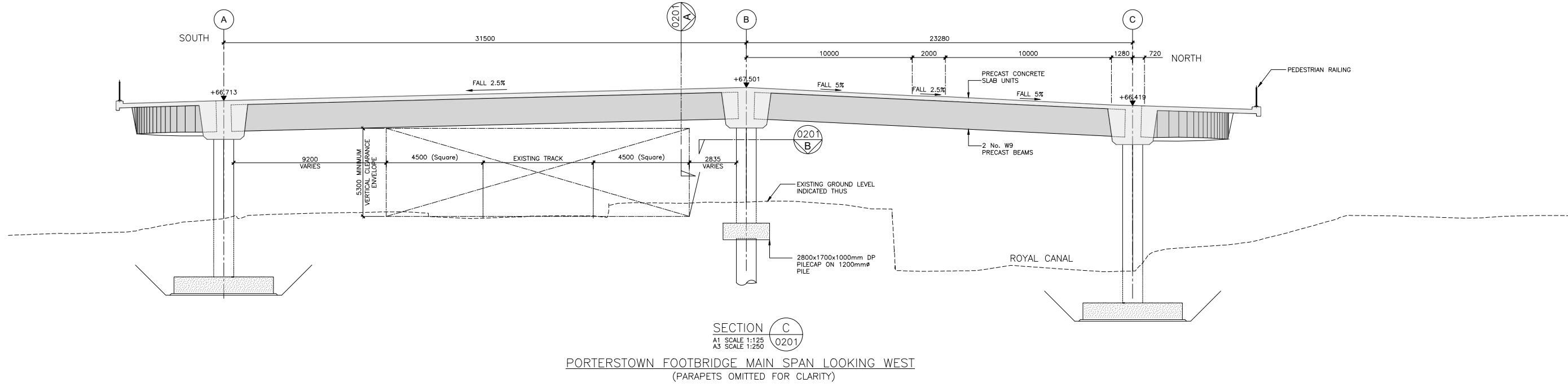


Client	Tionscald Éireann Project Ireland 2040		
Consultant	IDOM		
Project	DART+ West		
Drawing Title	STRUCTURES DESIGN - LC04: CLONSILLA PEDESTRIAN, CYCLE AND MOBILITY IMPAIRED BRIDGE GENERAL ARRANGEMENT SHEET 1 of 3		
Scale:	1:250 @ A1 1:500 @ A3		
Drawing Number	MAY	MDC	STR
Project	LC04	DR	C
Discipline	0201	D	
Location			
Type			
Role			
Number			
Phase			
Date:	April 2022	Job No:	P/101086
Status:	F1 - Approved & Accepted	Rev:	V 01
Sheet:	1 of 3		

© Irish Rail (2021). This drawing is confidential and the copyright in it is owned by Irish Rail. This drawing must not be either loaned, copied or otherwise reproduced in whole or in part or used for any purpose without the prior permission of Irish Rail.
 © Ordnance Survey Ireland and Government of Ireland. All O.S. data used for plans are printed under "Copyright Ordnance Survey Ireland" Survey No. 6039721 (OSI Aerial Data or OSi Lidar Data) & Survey No. 20210201 (NMA, 189 (OSi Vector Data)).
 All elevations are in metres and relate to OSi Cloud Model (OSiCloud) data, based as defined by existing Project Control.
 All Coordinates are in Irish Transverse Mercator Grid (ITM) as defined by OSi active GPS station Tallaght College (TLLO).

NOTES:

1. ALL DIMENSIONS IN MILLIMETERS, UNLESS OTHERWISE NOTED.
2. ALL LEVELS ARE IN METRES TO ORDNANCE DATUM MALIN HEAD.
3. ALL CO-ORDINATES ARE IN METRES TO IRISH TRANSVERSE MERCATOR (ITM).
4. FINAL FOUNDATION DESIGN TO BE CONFIRMED FOLLOWING DETAILED GEOTECHNICAL INVESTIGATION
5. ALL LEVELS TO BE REVIEWED FOLLOWING DETAILED TOPOGRAPHICAL SURVEY.



REV	DATE	DESCRIPTION	AR	LC	MK
V 01	April 2022	PLANNING ISSUE			
PRODUCED BY: AR, LC, MK					
REVIEWED BY: AR, LC, MK					
APPROVED BY: AR, LC, MK					

Client

Consultant

Project

Drawing Title

STRUCTURES DESIGN - LC04: CLONSILLA PEDESTRIAN, CYCLE AND MOBILITY IMPAIRED BRIDGE GENERAL ARRANGEMENT SHEET 2 of 3

Scale: 1:125 @ A1 1:250 @ A3

Drawing Number | Project | Originator | Discipline | Location | Type | Role | Number | Phase

MAY MDC STR LC04 DR C 0202 D

Date: April 2022 Job No: P/101086 Status: F1 - Approved & Accepted Rev: V 01 Sheet: 2 of 3

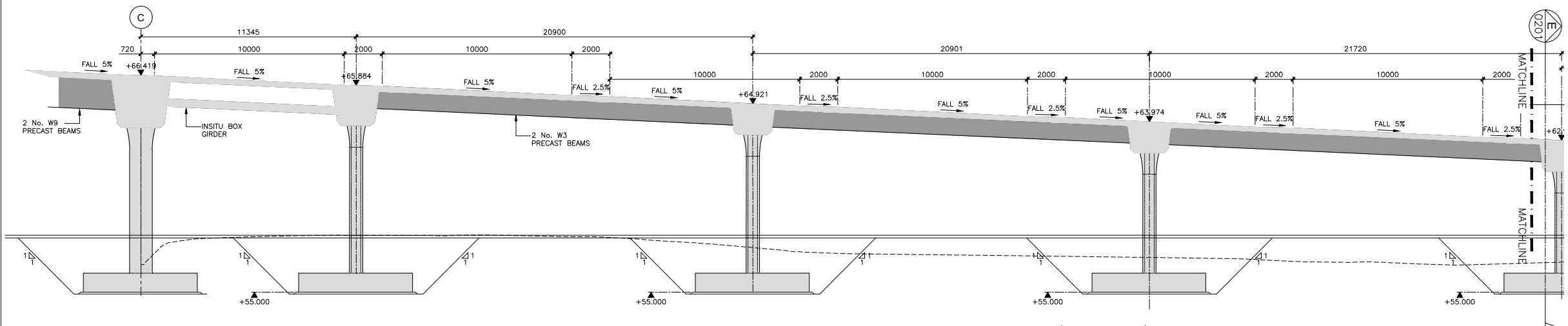
© Irish Rail (2021). This drawing is confidential and the copyright in it is owned by Irish Rail. This drawing must not be either loaned, copied or otherwise reproduced in whole or in part or used for any purpose without the prior permission of Irish Rail.

© Ordnance Survey Ireland and Government of Ireland. All O.S. data used for plans are printed under "Copyright Ordnance Survey Ireland" Survey No. 9029721 (OSI Aerial Data or OSi Lidar Data) & Survey No. 20210001_NWA_189 (OSi Vector Data).

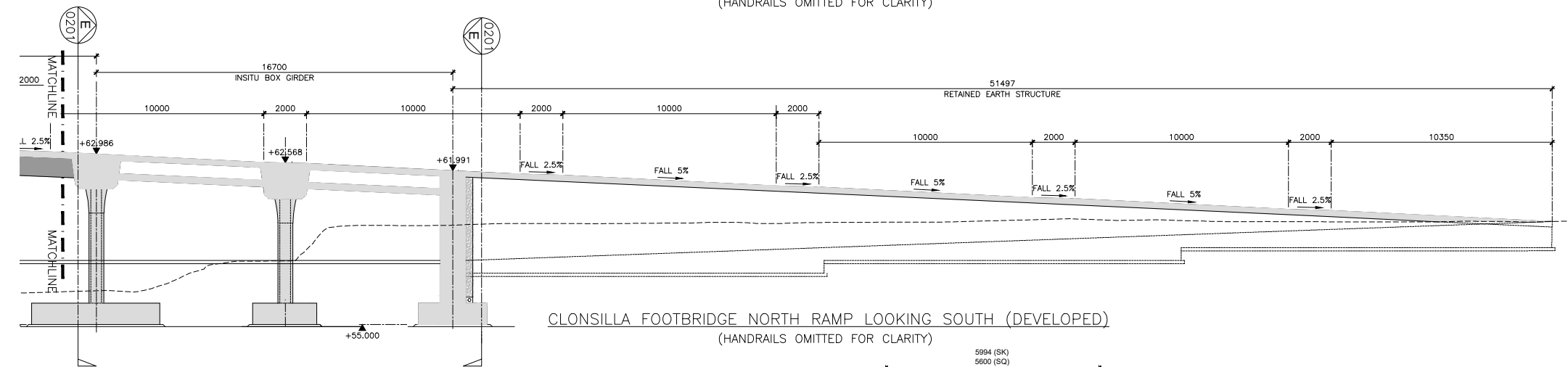
All elevations are in metres and relate to OSi Geoid Model (OSGM02) Mean Head as defined by existing Project Control.

All Co-ordinates are in Irish Transverse Mercator Grid (ITM) as defined by OSi active GPS station Tallaght College (TLG).

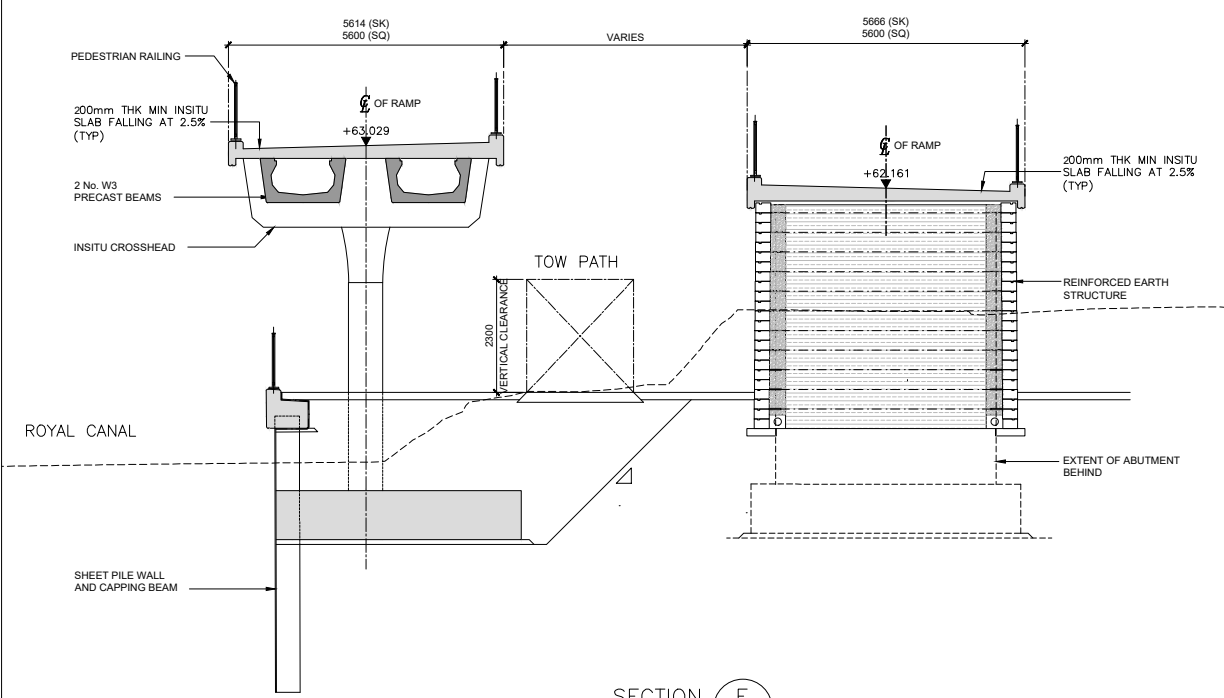
- NOTES:
1. ALL DIMENSIONS IN MILLIMETERS, UNLESS OTHERWISE NOTED.
 2. ALL LEVELS ARE IN METRES TO ORDNANCE DATUM MALIN HEAD.
 3. ALL CO-ORDINATES ARE IN METRES TO IRISH TRANSVERSE MERCATOR (ITM).
 4. FINAL FOUNDATION DESIGN TO BE CONFIRMED FOLLOWING DETAILED GEOTECHNICAL INVESTIGATION
 5. ALL LEVELS TO BE REVIEWED FOLLOWING DETAILED TOPOGRAPHICAL SURVEY.



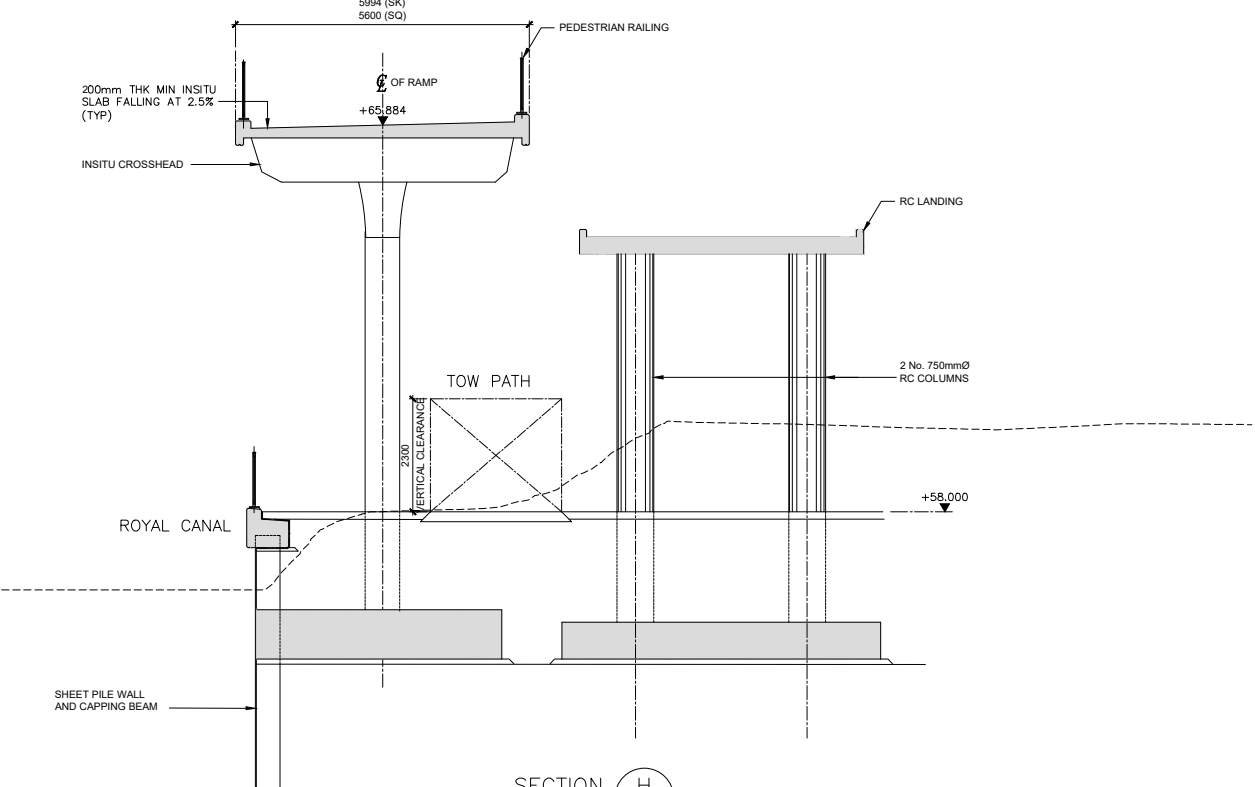
CLONSILLA FOOTBRIDGE NORTH RAMP LOOKING SOUTH (DEVELOPED)
(HANDRAILS OMITTED FOR CLARITY)



CLONSILLA FOOTBRIDGE NORTH RAMP LOOKING SOUTH (DEVELOPED)
(HANDRAILS OMITTED FOR CLARITY)



SECTION E
A1 SCALE 1:75
A3 SCALE 1:150



SECTION H
A1 SCALE 1:75
A3 SCALE 1:150

Client	Tionscadal Éireann Project Ireland 2040	NTA Údarás Náisiúnta Ionstrá Náisiúnta Transporta	Iarnród Éireann Irish Rail					
Project	DART+ West							
Drawing Title	STRUCTURES DESIGN - LC04: CLONSILLA PEDESTRIAN, CYCLE AND MOBILITY IMPAIRED BRIDGE GENERAL ARRANGEMENT SHEET 3 of 3							
Scale:	1:125 @ A1 1:250 @ A3							
Drawing Number	Project	Originator	Discipline	Location	Type	Role	Number	Phase
MAY	MDC	STR	LC04	DR	C	0203	D	
Date:	Job No:	Status:	Rev:					
April 2022	P/101086	F1 - Approved & Accepted	V 01	Sheet: 3 of 3				

Client

Consultant

IDOM

PROJ

Project

DART+ West

Drawing Title

STRUCTURES DESIGN - LC04: CLONSILLA PEDESTRIAN, CYCLE AND MOBILITY IMPAIRED BRIDGE GENERAL ARRANGEMENT SHEET 3 of 3

Scale:

1:125 @ A1 1:250 @ A3

Drawing Number

Project

Originator

Discipline

Location

Type

Role

Number

Phase

MAY MDC STR LC04 DR C 0203 D

Date:

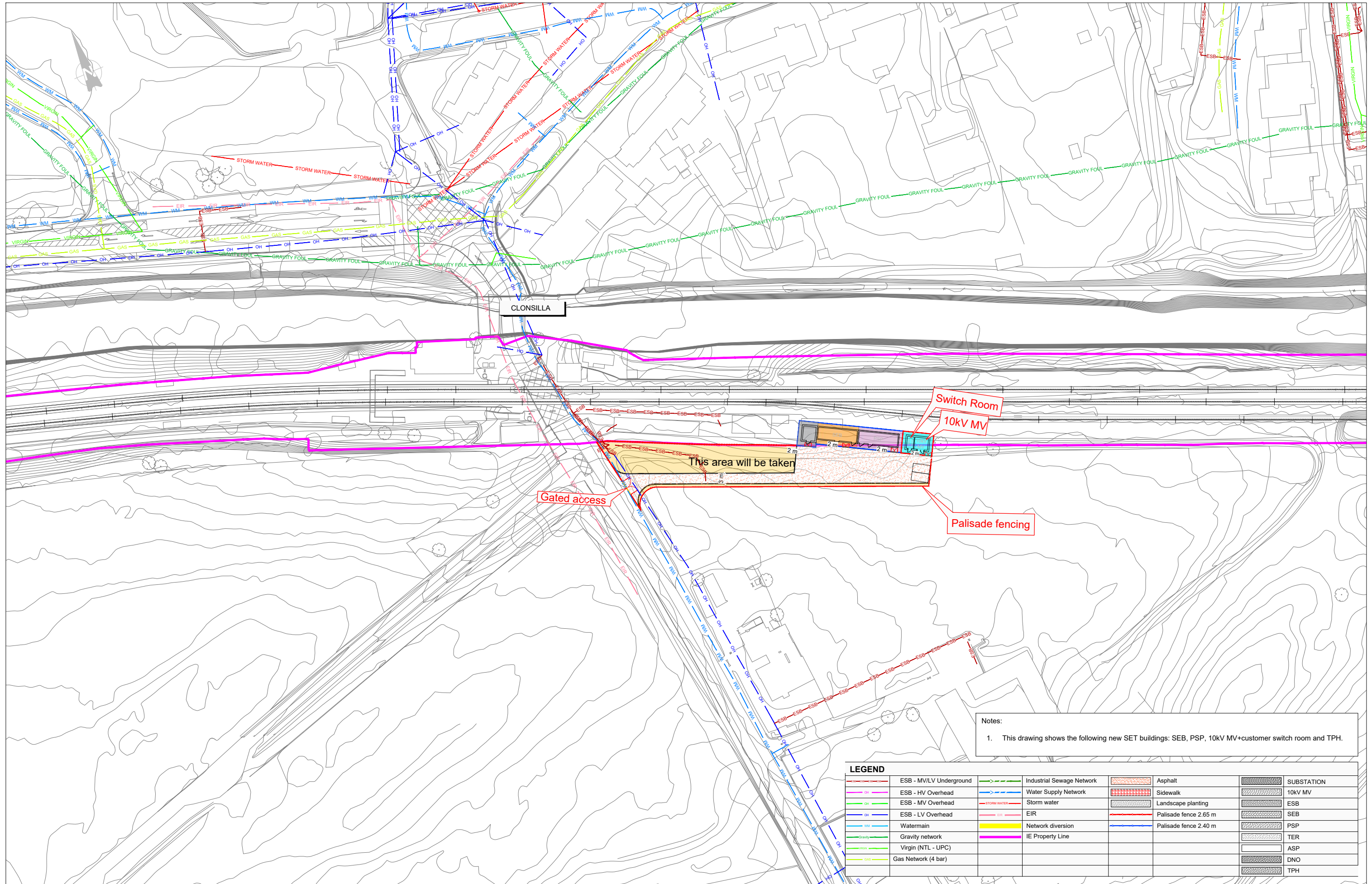
Job No:

Status:

Rev:

April 2022 P/101086 F1 - Approved & Accepted V 01

Sheet: 3 of 3



Notes:
 1. This drawing shows the following new SET buildings: SEB, PSP, 10kV MV+customer switch room and TPH.

LEGEND	
	ESB - MV/LV Underground
	ESB - HV Overhead
	ESB - MV Overhead
	ESB - LV Overhead
	Watermain
	Gravity network
	Virgin (NTL - UPC)
	Gas Network (4 bar)
	Industrial Sewage Network
	Water Supply Network
	Storm water
	EIR
	Network diversion
	IE Property Line
	Asphalt
	Sidewalk
	Landscape planting
	Palisade fence 2.65 m
	Palisade fence 2.40 m
	Substation
	10kV MV
	ESB
	SEB
	PSP
	TER
	ASP
	DNO
	TPH

V01	April 2022	PLANNING ISSUE	MCG	MPT	CCS
REV.	DATE	DESCRIPTION	PRODUCED BY	REVIEWED BY	APPROVED BY
<small>© Irish Rail (2020). This drawing is confidential and the copyright in it is owned by Irish Rail. This drawing must not be either loaned, copied or otherwise reproduced in whole or in part or used for any purpose without the prior permission of Irish Rail. © Ordnance Survey Ireland and Government of Ireland. All O.S. data used for plans are printed under "Copyright Ordnance Survey Ireland". Survey No. 0039720 (OSI Aerial Data or OS Lidar Data) & Survey No. 2020/081_NMA_180 (OSI Vector Data). All elevations are in metres and relate to OSI Geoid Model (OSGM02) Mean Head as defined by existing Project Control. All Co-ordinates are in Irish Transverse Mercator Grid (ITM) as defined by OSI active GPS station Tallaght College (TLG0).</small>					

Client

Consultant

Project

Drawing Title

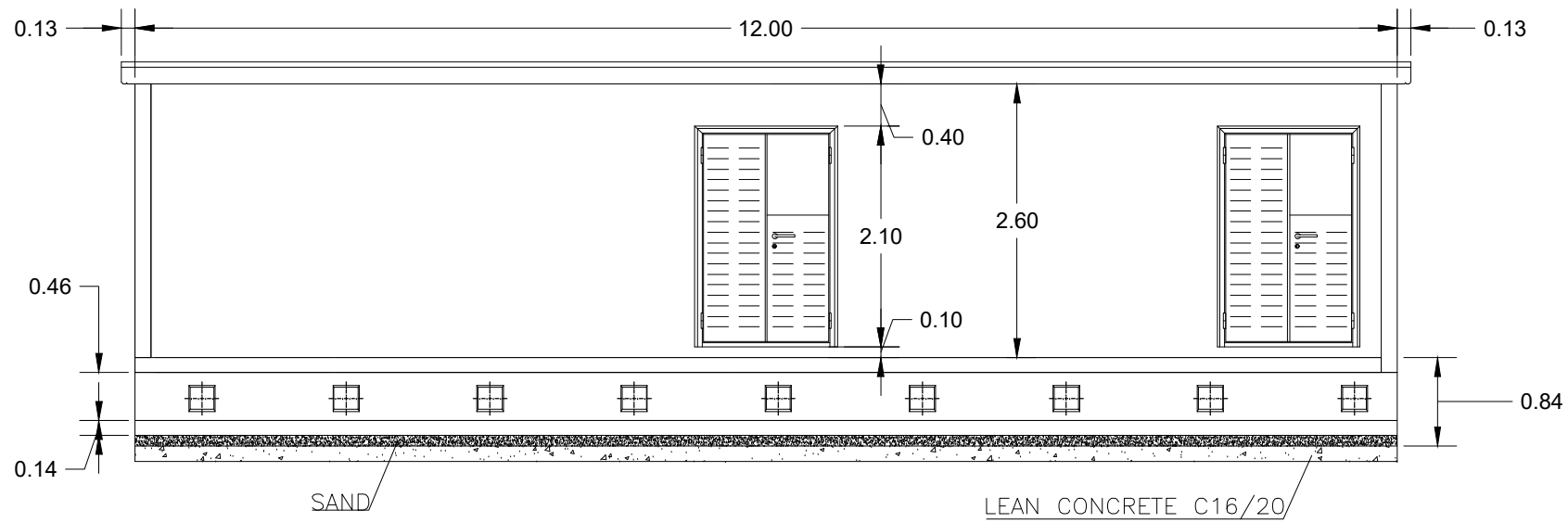
SET TECHNICAL BUILDINGS CLONSILLA

Scale: 1:500 @ A1

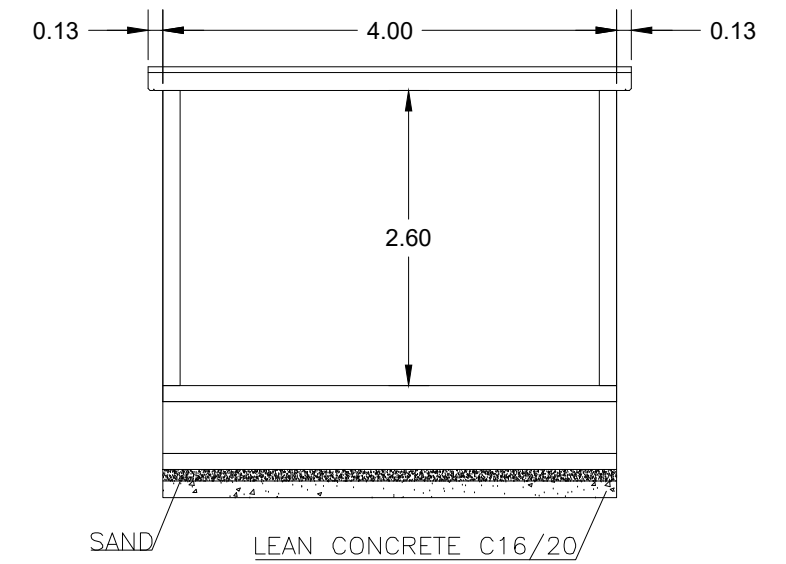
Drawing Number	Project	Originator	Discipline	Location	Type	Role	Number	Phase
MAY MDC SET RS11 DR Z 0003	D						0003	D

Date:	Job No:	Status:	Rev:
April 2022	P/101086	F1-Approved & accepted	V01

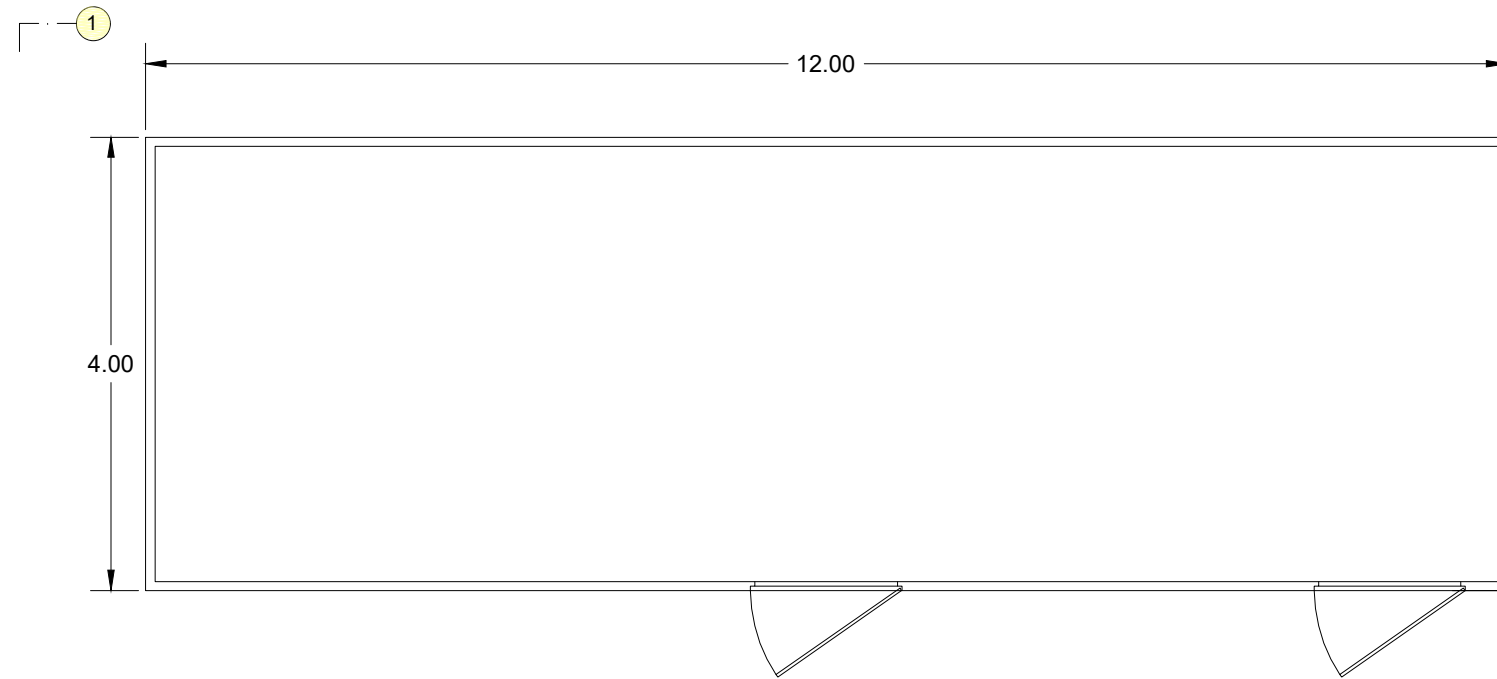
Sheet 01 of 01



FRONT VIEW



VIEW 1'-1'

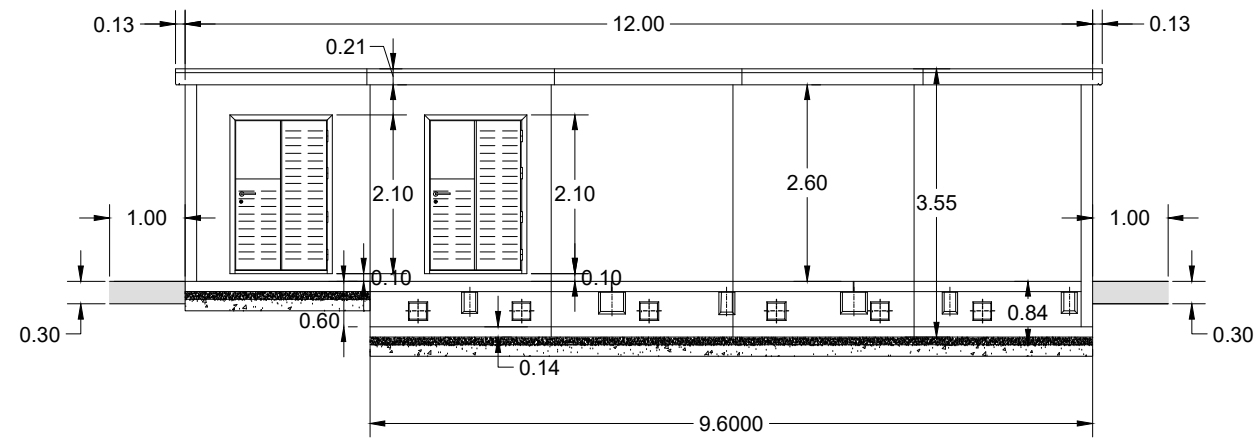


PLANT VIEW

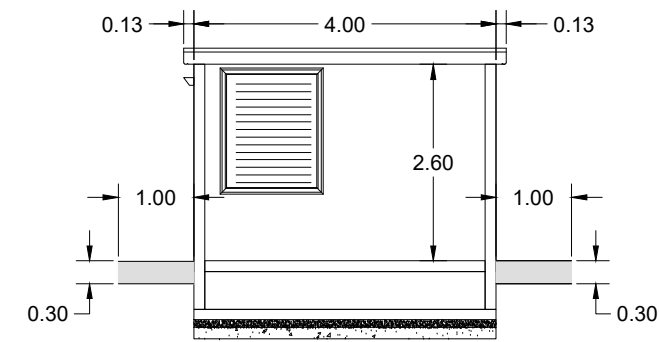
SEB BUILDING

<table border="1"> <tr> <td>REV</td> <td>DATE</td> <td>DESCRIPTION</td> <td>PRODUCED BY</td> <td>REVIEWED BY</td> <td>APPROVED BY</td> </tr> <tr> <td>V01</td> <td>April 2022</td> <td>PLANNING ISSUE</td> <td>MCG</td> <td>MPT</td> <td>CCS</td> </tr> </table>		REV	DATE	DESCRIPTION	PRODUCED BY	REVIEWED BY	APPROVED BY	V01	April 2022	PLANNING ISSUE	MCG	MPT	CCS	<p>Client</p>	<p>Project</p>	<p>Drawing Title</p> <p>SET TECHNICAL BUILDINGS CLONSILLA BUILDINGS DETAIL</p>																							
REV	DATE	DESCRIPTION	PRODUCED BY	REVIEWED BY	APPROVED BY																																		
V01	April 2022	PLANNING ISSUE	MCG	MPT	CCS																																		
<p>Consultant</p>		<p>Scale:</p> <p>1:15@ A3</p>	<table border="1"> <tr> <td>Drawing Number</td> <td>Project</td> <td>Originator</td> <td>Discipline</td> <td>Location</td> <td>Type</td> <td>Role</td> <td>Number</td> <td>Phase</td> </tr> <tr> <td>MAY MDC SET RS11 DR Z 0010</td> <td></td> <td></td> <td></td> <td></td> <td></td> <td></td> <td>0010</td> <td>D</td> </tr> <tr> <td>Date:</td> <td>Job No:</td> <td>Status:</td> <td>Rev:</td> <td>Sheet:</td> <td colspan="4"></td> </tr> <tr> <td>April 2022</td> <td>P/101086</td> <td>F1-Approved & accepted</td> <td>V01</td> <td>01 of 04</td> <td colspan="4"></td> </tr> </table>	Drawing Number	Project	Originator	Discipline	Location	Type	Role	Number	Phase	MAY MDC SET RS11 DR Z 0010							0010	D	Date:	Job No:	Status:	Rev:	Sheet:					April 2022	P/101086	F1-Approved & accepted	V01	01 of 04				
Drawing Number	Project	Originator	Discipline	Location	Type	Role	Number	Phase																															
MAY MDC SET RS11 DR Z 0010							0010	D																															
Date:	Job No:	Status:	Rev:	Sheet:																																			
April 2022	P/101086	F1-Approved & accepted	V01	01 of 04																																			

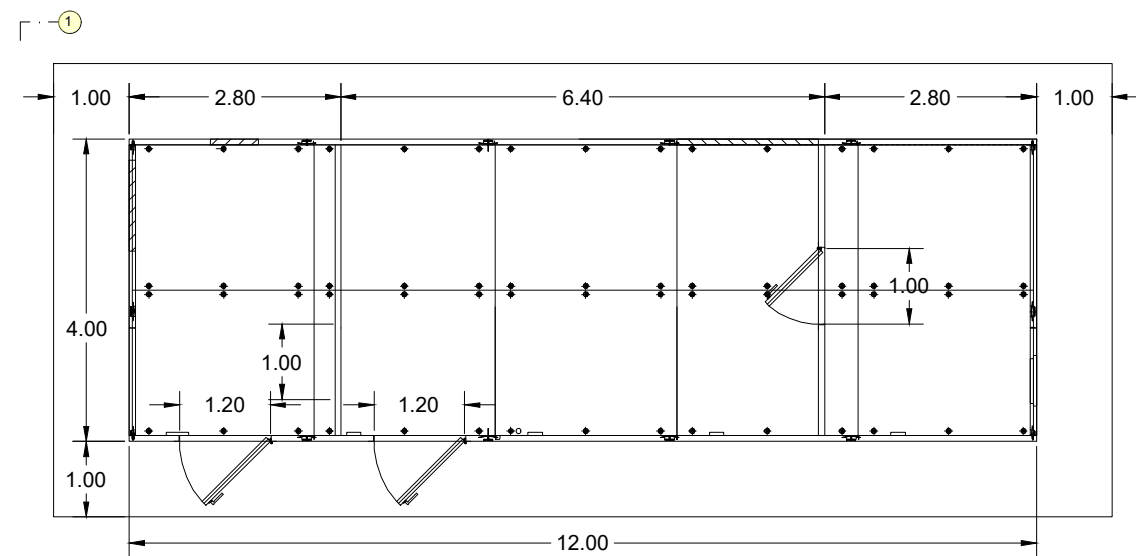
© Irish Rail (2022). This drawing is confidential and the copyright in it is owned by Irish Rail. This drawing must not be either loaned, copied or otherwise reproduced in whole or in part or used for any purpose without the prior permission of Irish Rail.
 © Ordnance Survey Ireland and Government of Ireland. All O.S. data used for plans are printed under 'Copyright Ordnance Survey Ireland'.
 Survey No. 6039720 (OSI Aerial Data or OS Lidar Data) & Survey No. 2620091_NMA_180 (OSI Vector Data).
 All elevations are in metres and relate to OSi Geoid Model1 (OSGM02) Mean-High as defined by existing Project Control.
 All Co-ordinates are in Irish Transverse Mercator Grid (ITM) as defined by OSi active GPS station Tallaght College (TL40).



FRONT VIEW



VIEW 1'-1'



PLANT VIEW

PSP BUILDING

REV	DATE	DESCRIPTION	PRODUCED BY	REVIEWED BY	APPROVED BY
V01	April 2022	PLANNING ISSUE	MCG	MPT	CCS

© Irish Rail (2022). This drawing is confidential and the copyright in it is owned by Irish Rail. This drawing must not be either loaned, copied or otherwise reproduced in whole or in part or used for any purpose without the prior permission of Irish Rail.
 © Ordnance Survey Ireland and Government of Ireland. All O.S. data used for plans are printed under 'Copyright Ordnance Survey Ireland'.
 Survey No. 6039720 (OS Aerial Data or OS Lidar Data) & Survey No. 2020051_NMA_180 (OS Vector Data).
 All elevations are in metres and relate to OS Geoid Model1 (OSGM02) Mean-High as defined by existing Project Control.
 All Co-ordinates are in Irish Transverse Mercator Grid (ITM) as defined by OSi active GPS station Tallaght College (TL40).

Client

Consultant

Project

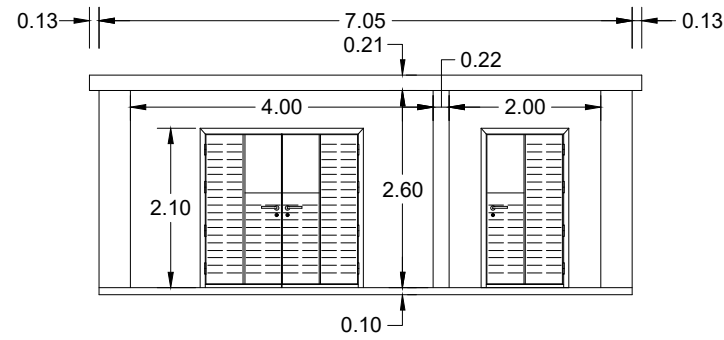
Drawing Title

SET TECHNICAL BUILDINGS
CLONSILLA BUILDINGS DETAIL

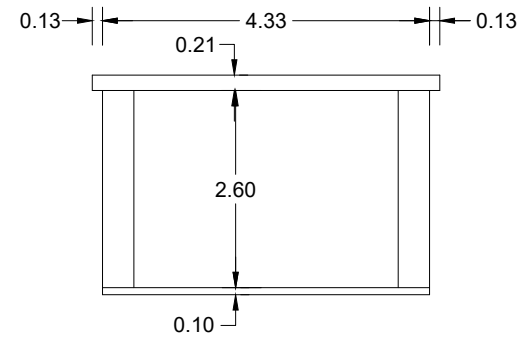
Scale:
1:100 @ A3

Date:	Job No:	Status:	Rev:	Sheet:
April 2022	P/101086	F1-Approved & accepted	V01	02 of 04

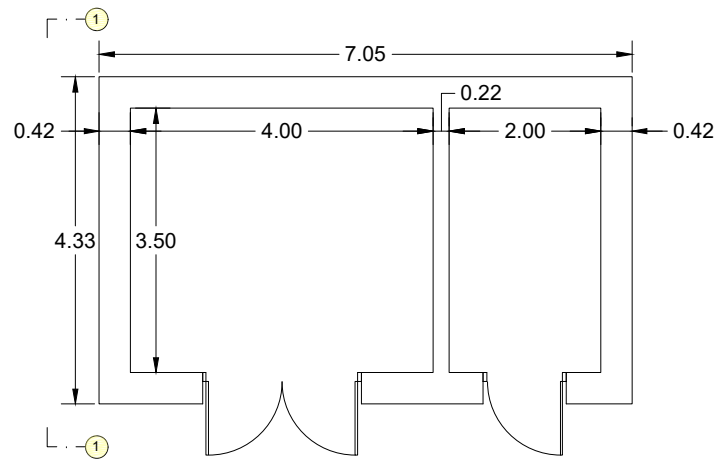
Drawing Number | Project | Originator | Discipline | Location | Type | Role | Number | Phase
MAY MDC SET RS11 DR Z 0010 D



FRONT VIEW



VIEW 1'-1'



PLANT VIEW

10KV MV & SWITCH ROOM BUILDING

REV	DATE	DESCRIPTION	PRODUCED BY	REVIEWED BY	APPROVED BY
V01	April 2022	PLANNING ISSUE	MCG	MPT	CCS

© Irish Rail (2022). This drawing is confidential and the copyright in it is owned by Irish Rail. This drawing must not be either loaned, copied or otherwise reproduced in whole or in part or used for any purpose without the prior permission of Irish Rail.
 © Ordnance Survey Ireland and Government of Ireland. All O.S. data used for plans are printed under 'Copyright Ordnance Survey Ireland'.
 Survey No. 6039720 (OS Aerial Data or OS Lidar Data) & Survey No. 2020051_NMA_180 (OS Vector Data).
 All elevations are in metres and relate to OS Geoid Model1 (OSGM02) Mean-High as defined by existing Project Control.
 All Co-ordinates are in Irish Transverse Mercator Grid (ITM) as defined by OSi active GPS station Tallaght College (TL40).

Client

Consultant

Project

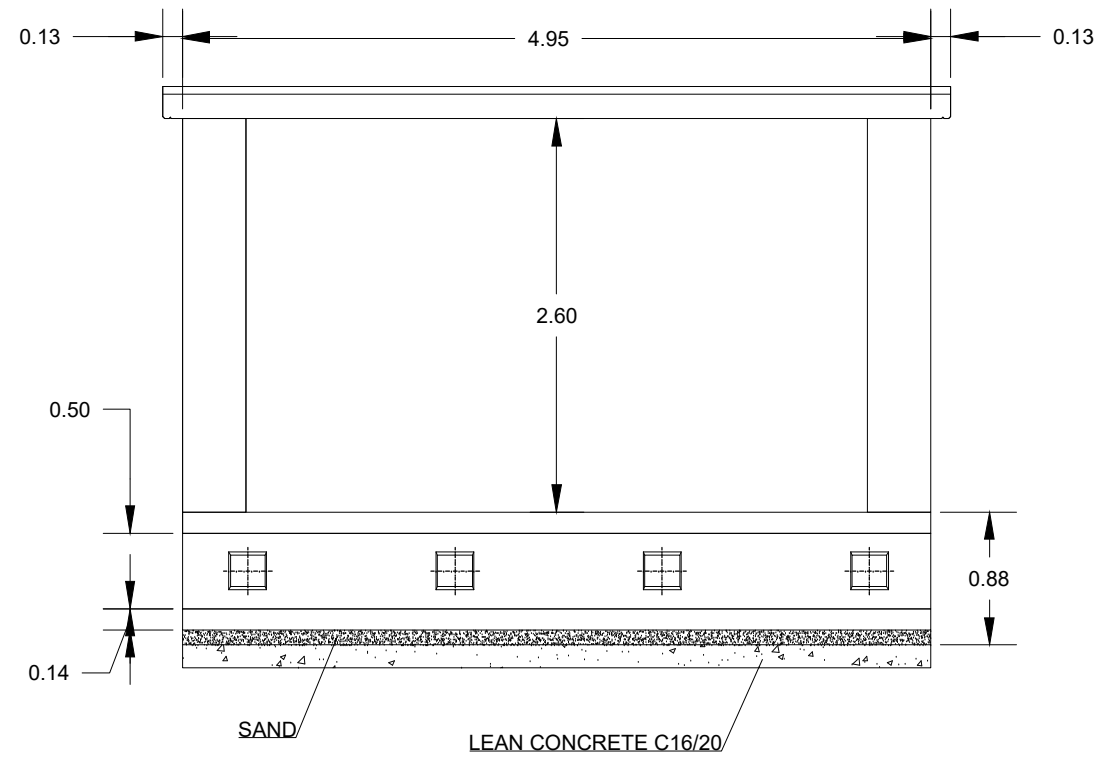
Drawing Title

SET TECHNICAL BUILDINGS
CLONSILLA BUILDINGS DETAIL

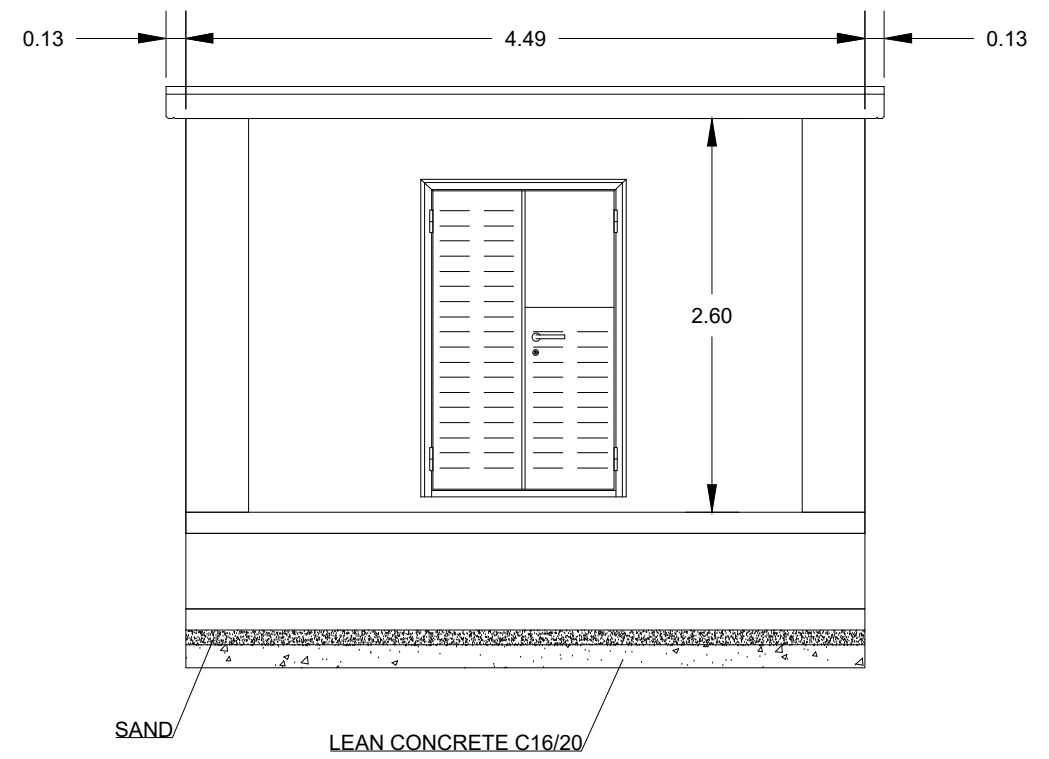
Scale:
1:100 @ A3

Date:	Job No:	Status:	Rev:	Sheet:
April 2022	P/101086	F1-Approved & accepted	V01	03 of 04

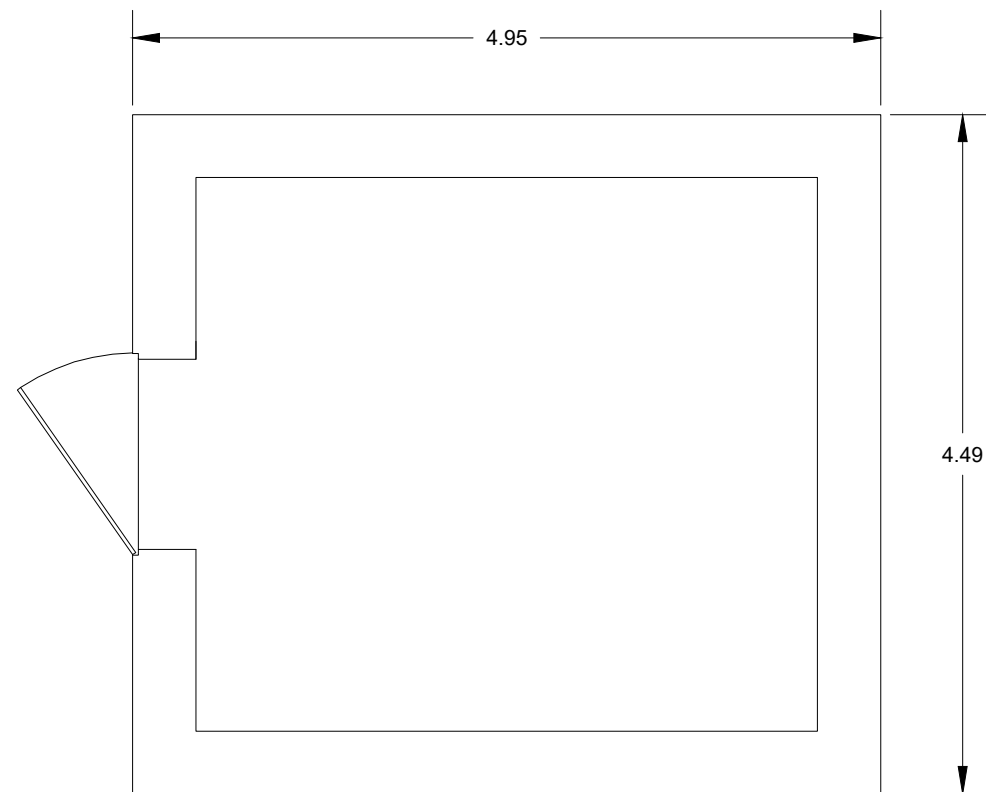
Drawing Number | Project | Originator | Discipline | Location | Type | Role | Number | Phase
MAY MDC SET RS11 DR Z 0010 D



FRONT VIEW



VIEW 1'-1'



PLANT VIEW

TPH BUILDING

REV	DATE	DESCRIPTION	PRODUCED BY	REVIEWED BY	APPROVED BY
V01	April 2022	PLANNING ISSUE	MCG	MPT	CCS

© Irish Rail (2022). This drawing is confidential and the copyright in it is owned by Irish Rail. This drawing must not be either loaned, copied or otherwise reproduced in whole or in part or used for any purpose without the prior permission of Irish Rail.
 © Ordnance Survey Ireland and Government of Ireland. All O.S. data used for plans are printed under 'Copyright Ordnance Survey Ireland'.
 Survey No. 6039720 (OSI Aerial Data or OSI Lidar Data) & Survey No. 2020091_NMA_180 (OSI Vector Data).
 All elevations are in metres and relate to OSi Geoid Model1 (OSGM02) Mean-High as defined by existing Project Control.
 All Coordinates are in Irish Transverse Mercator Grid (ITM) as defined by OSi active GPS station Tallaght College (TL40).

Client

Consultant

Project

Drawing Title

SET TECHNICAL BUILDINGS
CLONSILLA BUILDINGS DETAIL

Scale:
1:100 @ A3

Date:	Job No:	Status:	Rev:	Sheet:
April 2022	P/101086	F1-Approved & accepted	V01	04 of 04

Drawing Number | Project | Originator | Discipline | Location | Type | Role | Number | Phase
MAY MDC SET RS11 DR Z 0010 D